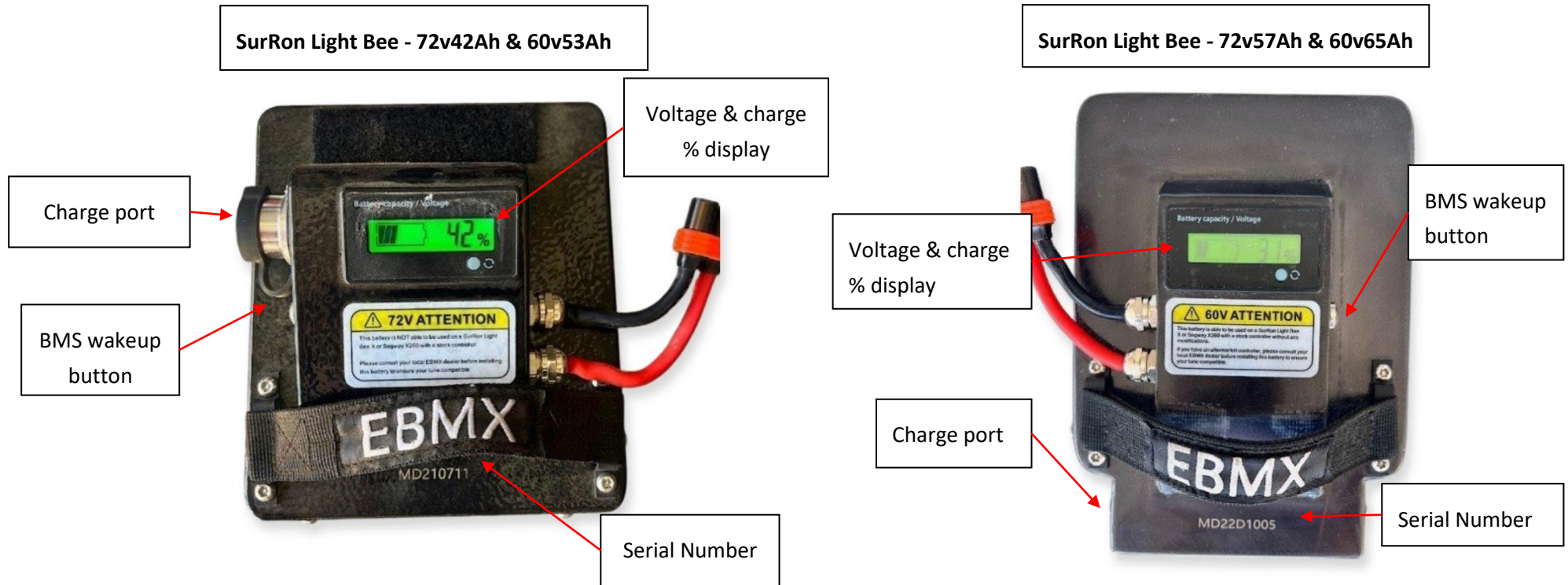
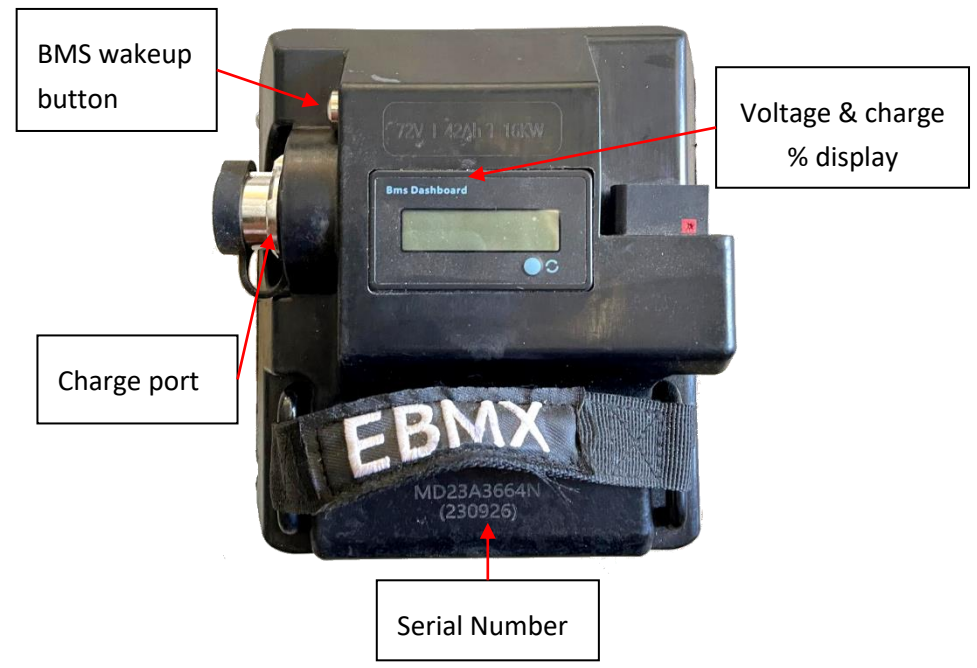


# Battery Function Diagram

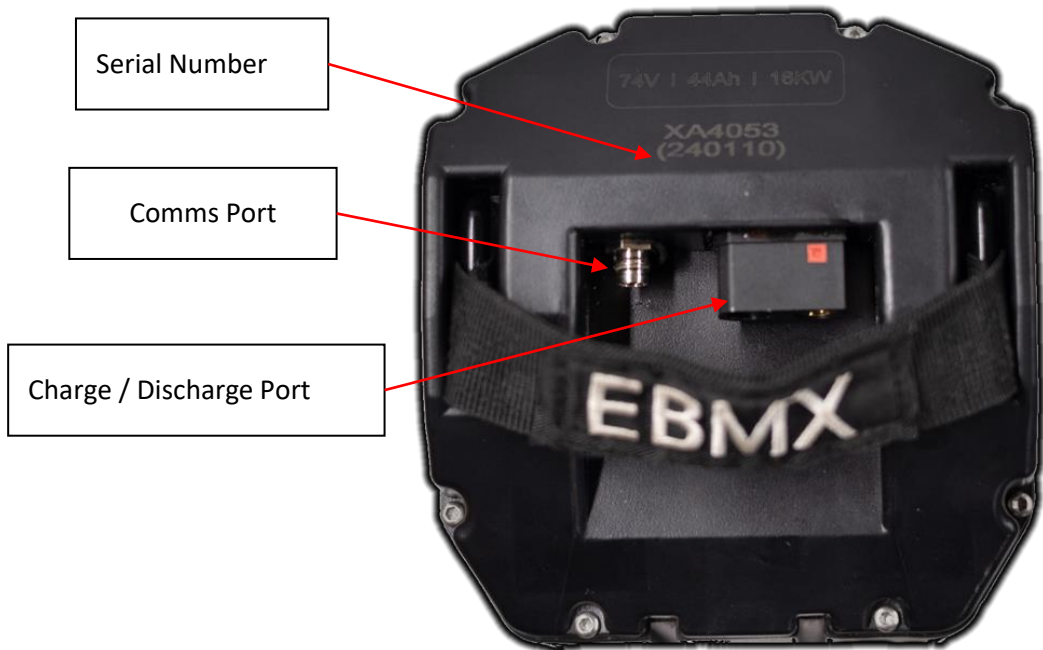


Talaria Sting - 72v42Ah & 60v53Ah  
Talaria Sting - 72v57Ah & 60v65Ah

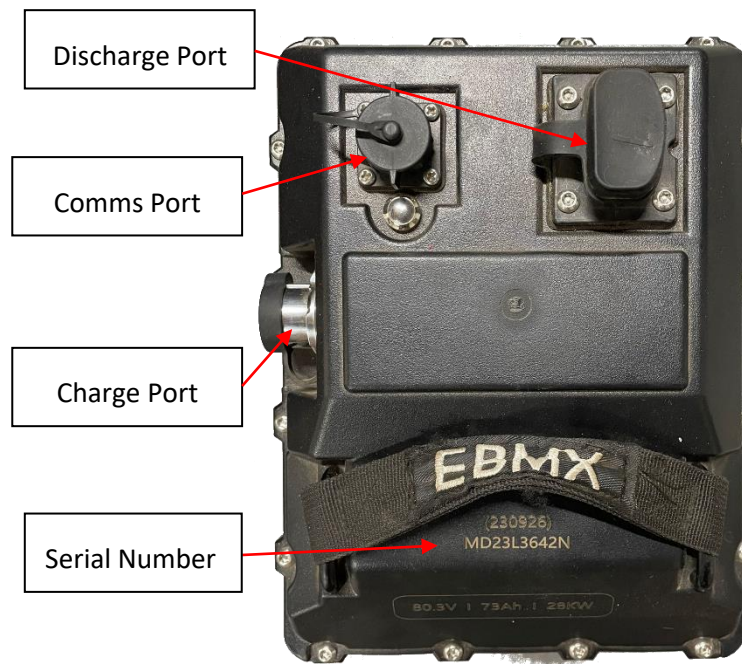
SurRon Light Bee - 72V42Ah QS8 Race Battery



Talaria XXX – 74V44Ah



SurRon Ultra Bee – 80.3V73Ah



**Charging:** Ensure you use the correct voltage charger when charging your battery. The 60v Batteries have the same pin layout as a stock 60v Battery. The 72V Batteries use a 4-pin layout.

**BMS Wake Up:** If your battery is not responding, hold this button down to wake up your BMS

**Discharge Power Leads:** Ensure you always have your circuit breaker turned off before plugging battery power leads into the power cable on your bike.

**Battery Cover Extension Clip:** This is used to replace the stock clip to allow for a slightly taller battery. Stored in the foam packing in your battery box (if applicable).

